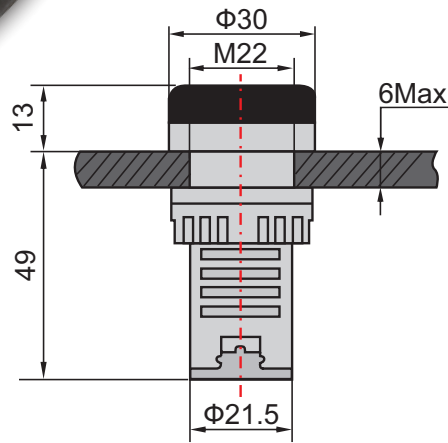


PtecPS 22.5mm Sounders



PtecPS Sounders are panel mounted alarm indicators that provide a loud pulsing audible signal and are ideal for use in alarm circuits.



PtecPS Accessories



LEDtec Handtool

Specifically designed to fit our 22.5mm LEDtec and PtecPS ranges, this handy tool makes securing of the rear locking ring quick and effortless.

PtecPS Technical Specification

Voltages Available (V_n)	12, 24, 48, 120Vac/dc and 230Vac
Operating Voltage Range	$V_n \pm 15\%$
Frequency (ac)	50 - 60Hz
Insulation Resistance	$\geq 2M\Omega$
Insulation Withstand	2.5kVac, 1 minute
Current/Power Consumption	$\leq 20mA$
IP Rating (from front)	IP40
Operational Life	30,000 hours
Temperature Range	-25°C to +55°C
Relative Humidity	$\leq 98\%$
Box Quantity	10
Certification	CE

PtecPS Ordering Scheme

